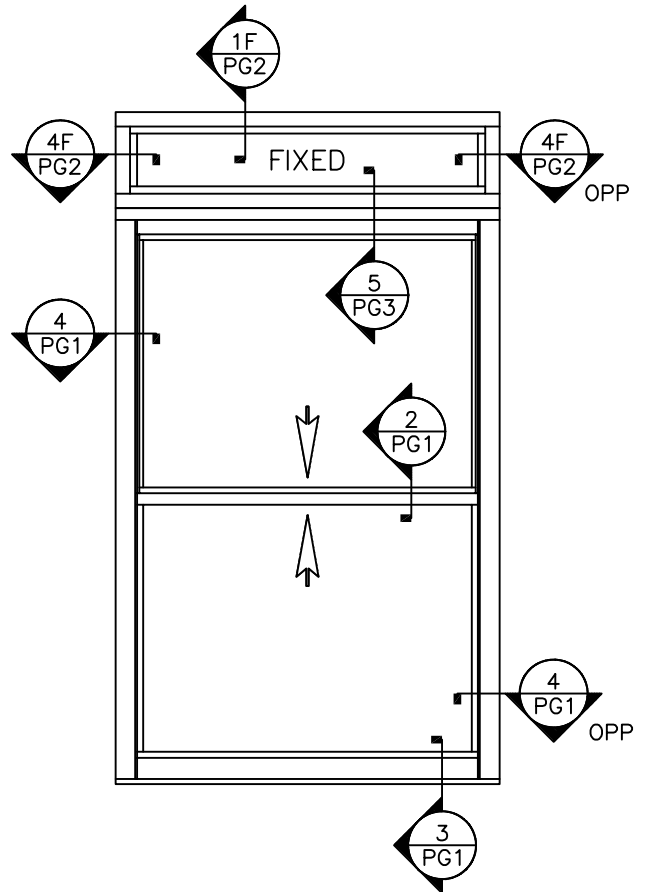
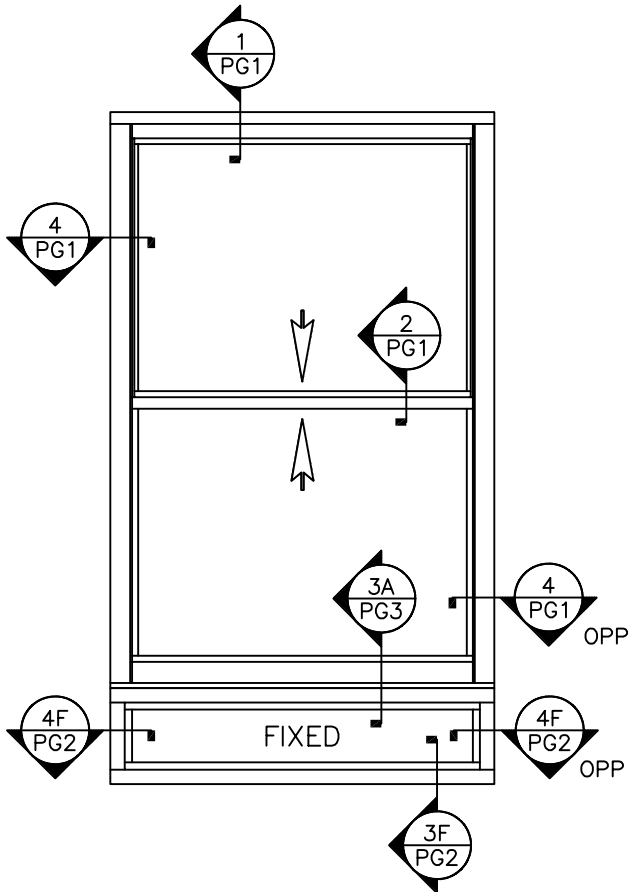
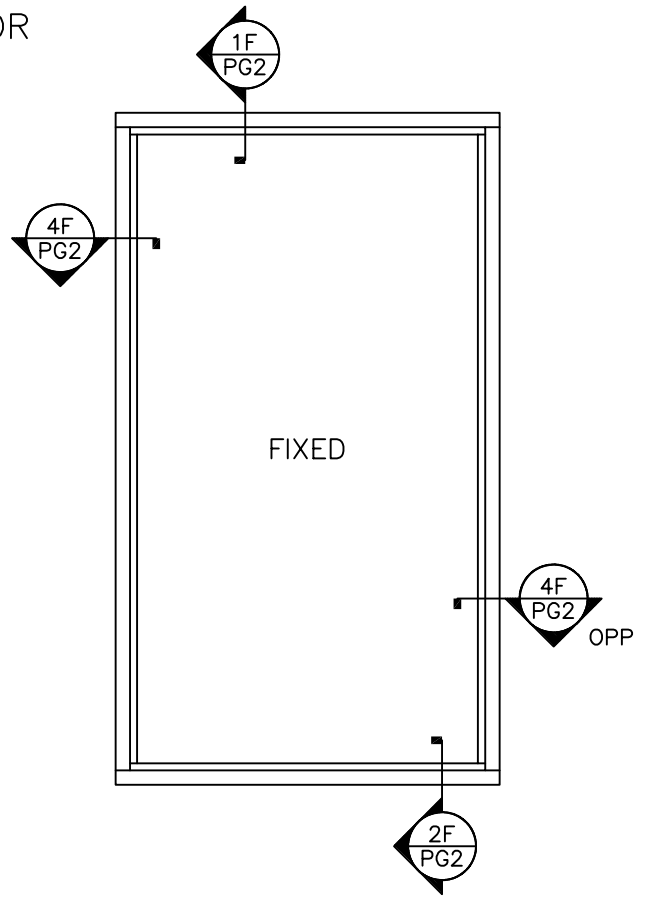
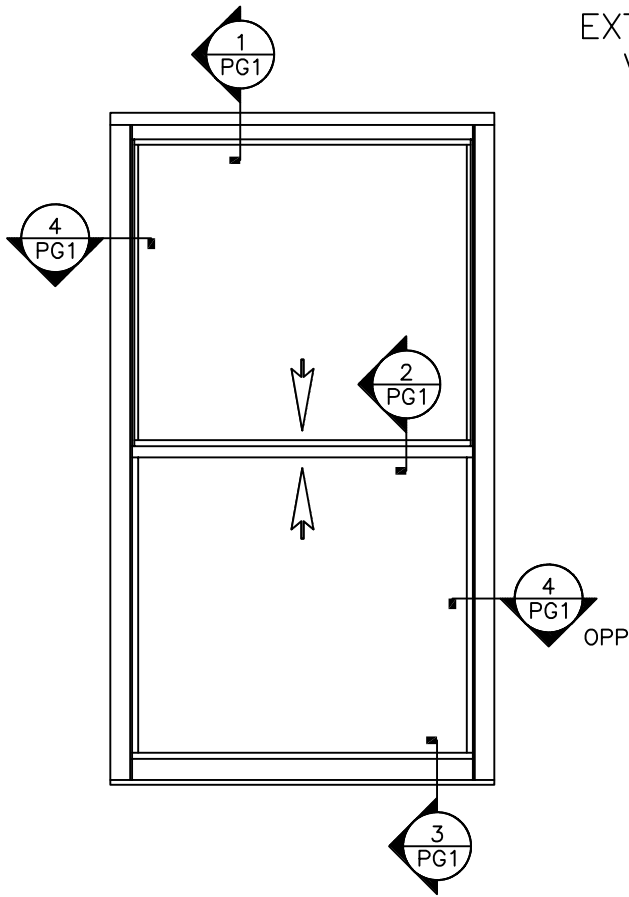
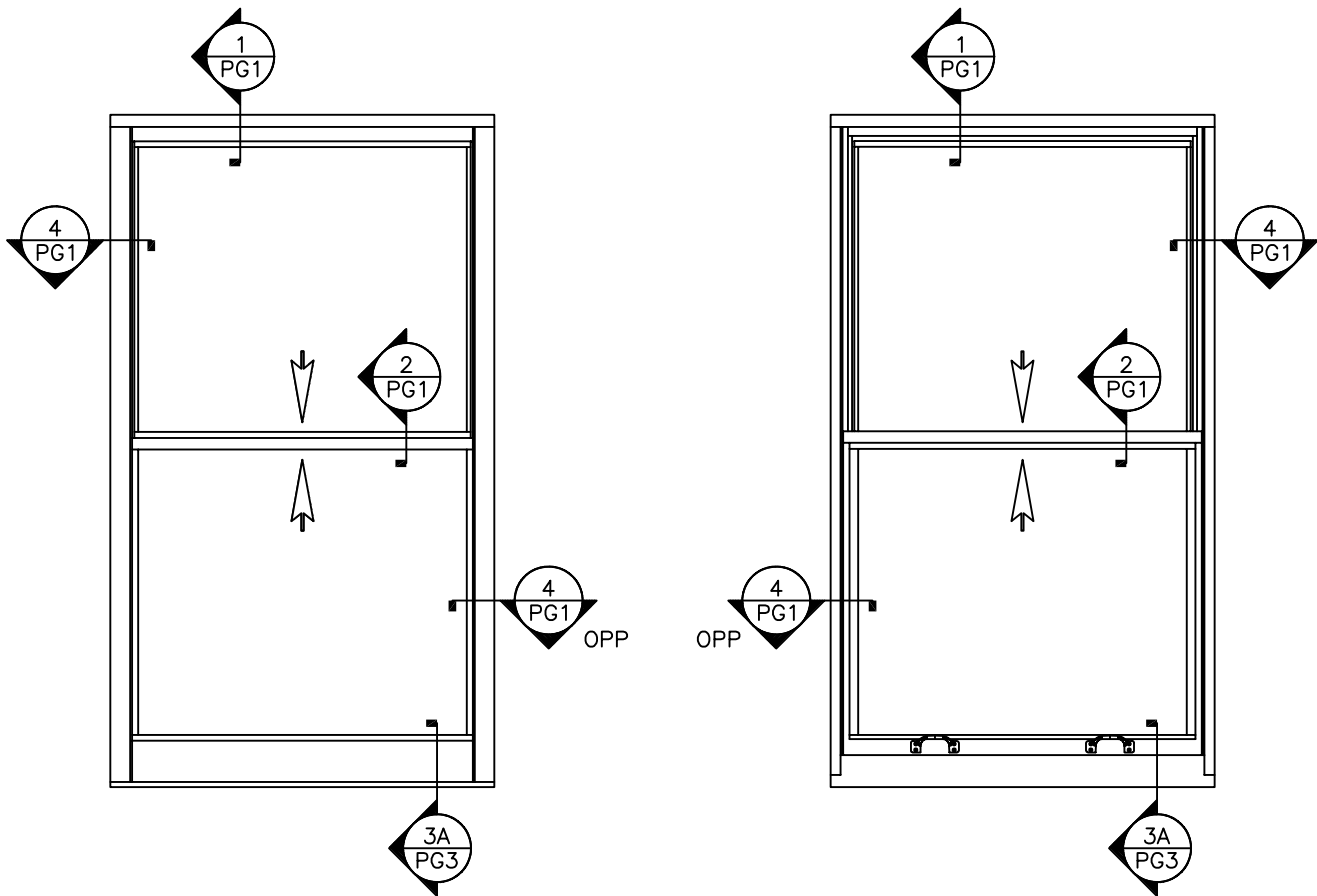


EXTERIOR VIEW

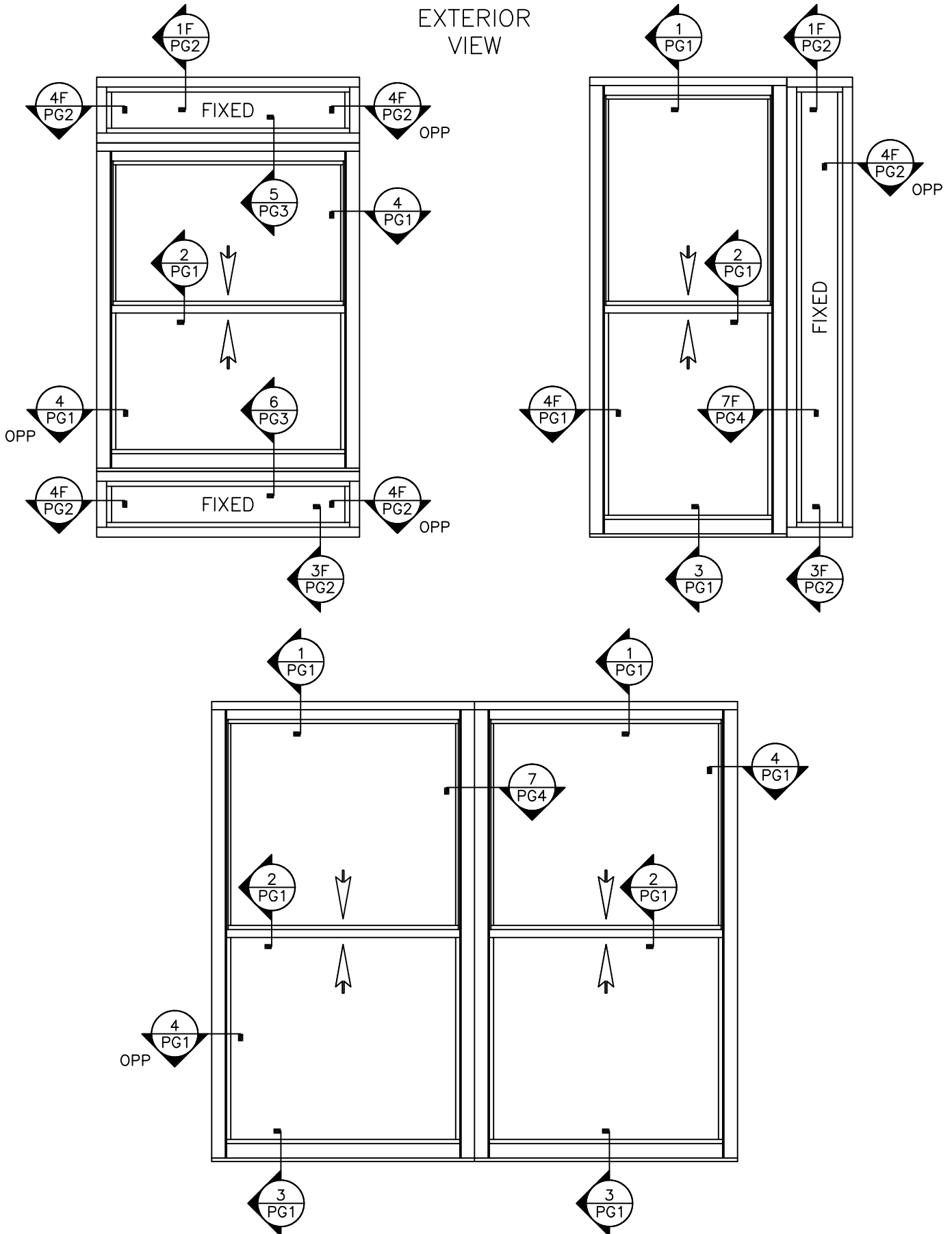


EXTERIOR VIEW

INTERIOR VIEW

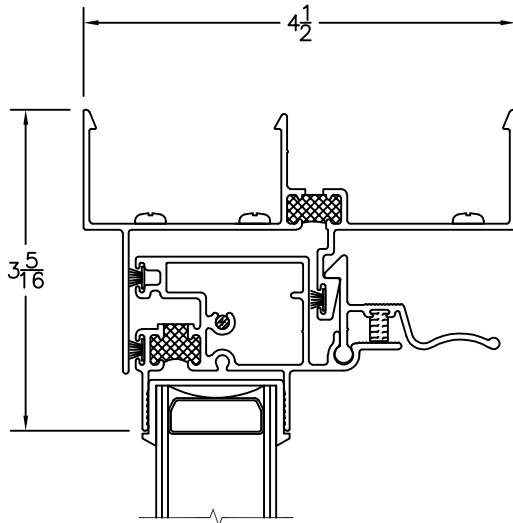


EXTERIOR VIEW

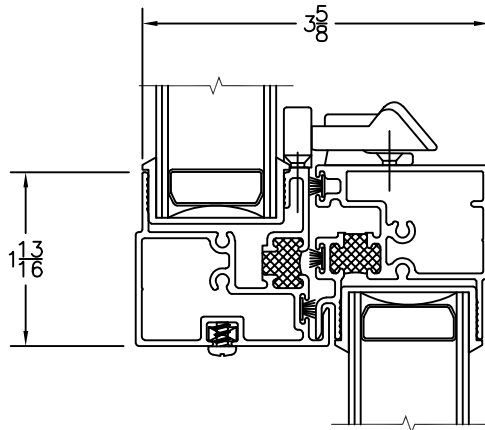


EXTERIOR

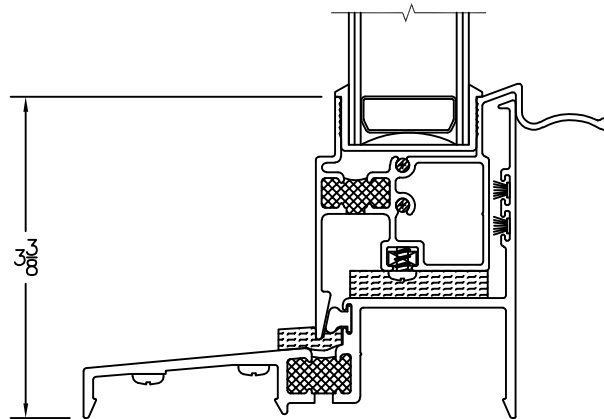
1
OPERABLE
HEAD



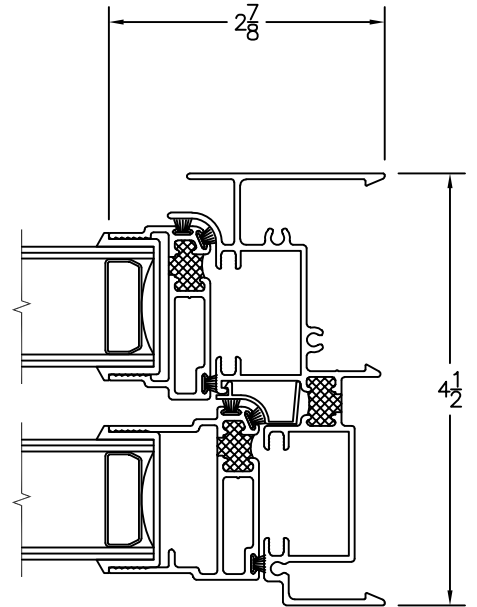
2
MEETING
RAIL



3
OPERABLE
SILL



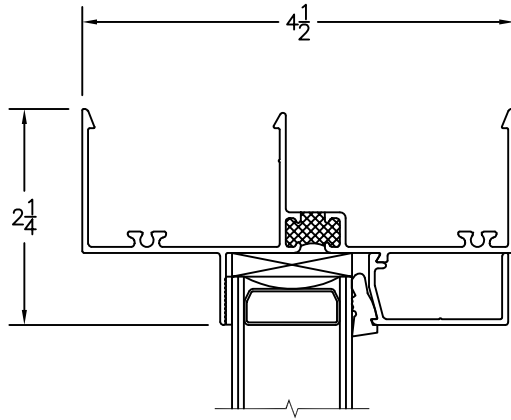
4
OPERABLE
JAMB



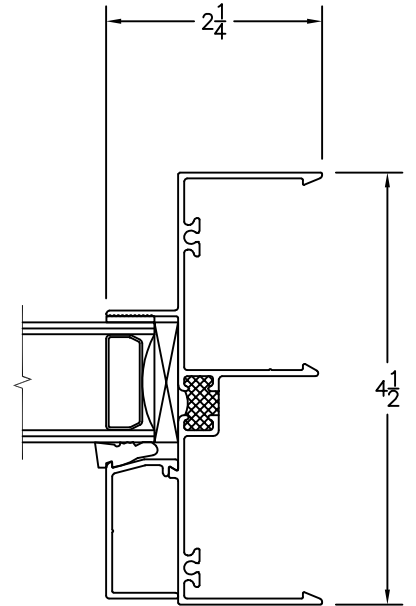
EXTERIOR

SCALE 1:2

1F
 FIXED HEAD



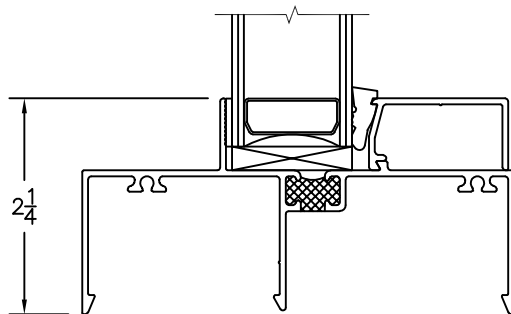
EXTERIOR



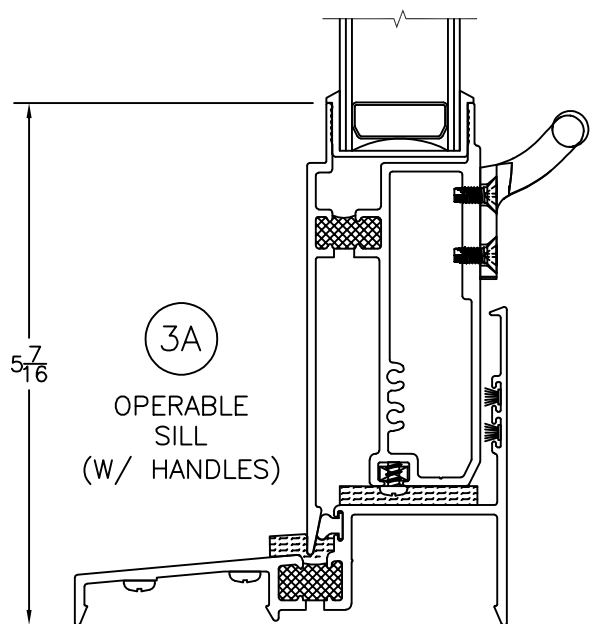
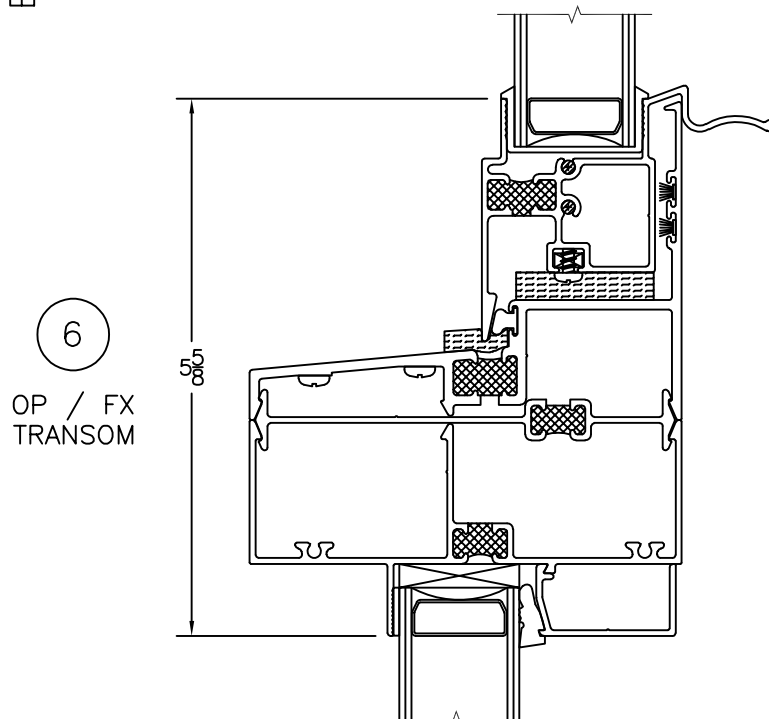
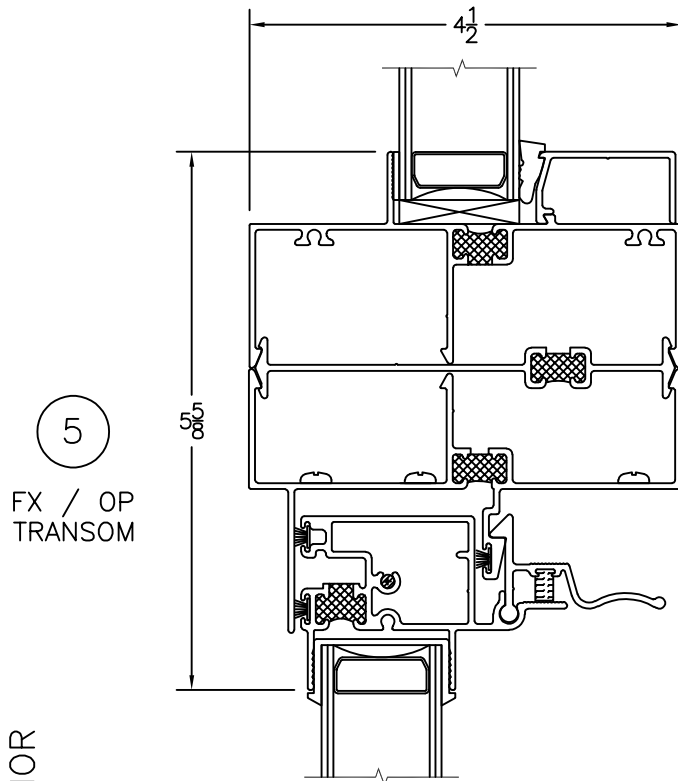
4F
 FIXED JAMB

EXTERIOR

3F
 FIXED SILL

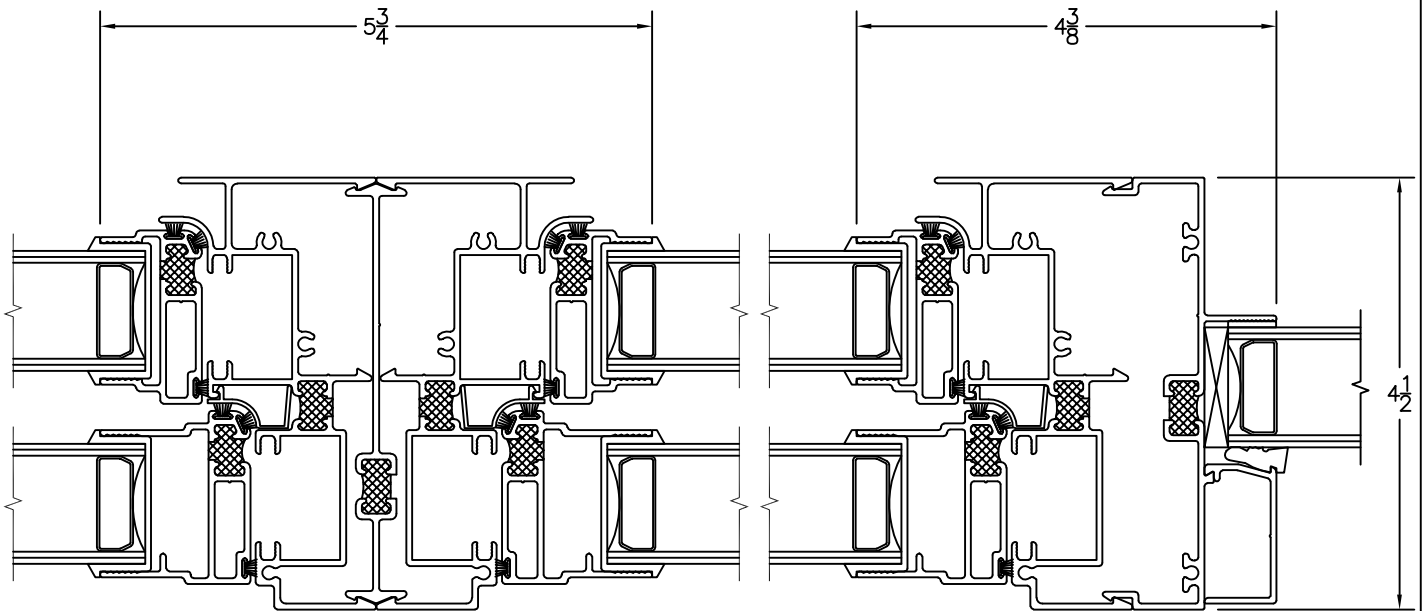


SCALE 1:2



SCALE 1:2

EXTERIOR



7

OP - OP
 MULLION

7F

OP - FX
 MULLION

SCALE 1:2