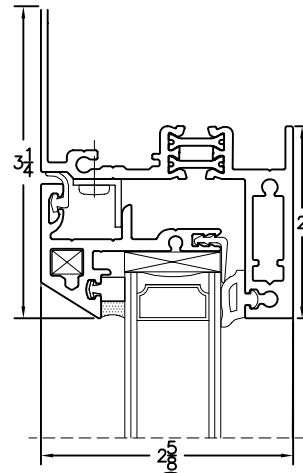
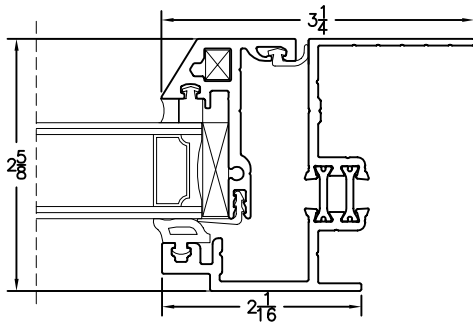


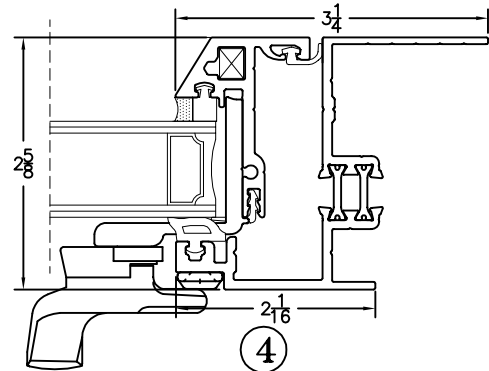
①
OP HEAD/SILL



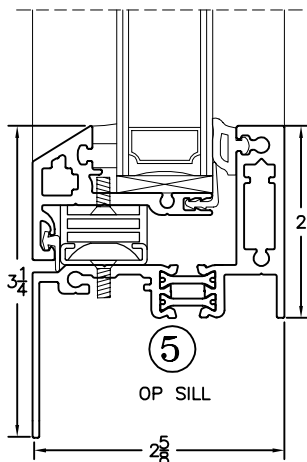
②
OP HEAD/SILL W/
SNUBBER SASH



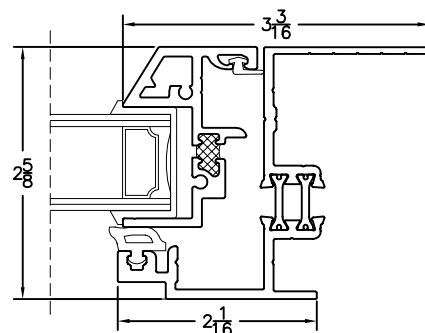
③
OP JAMB



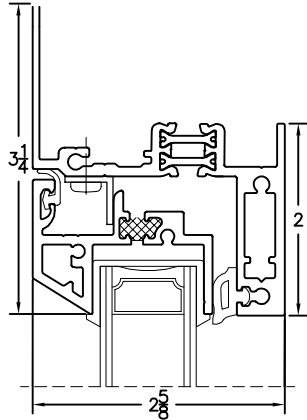
④
OP JAMB
W/ HANDLE



⑤
OP SILL

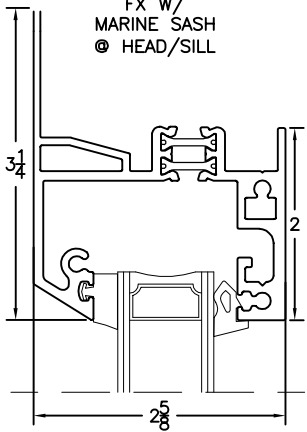


⑥
FX W/ MARINE
SASH @ JAMB



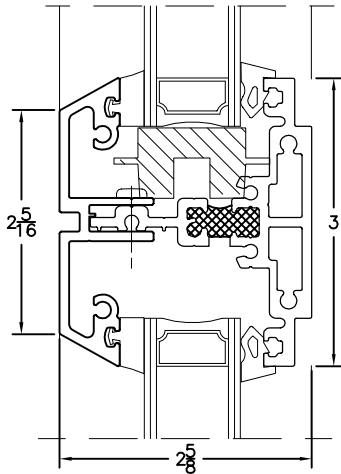
7

FX W/
MARINE SASH
⊙ HEAD/SILL



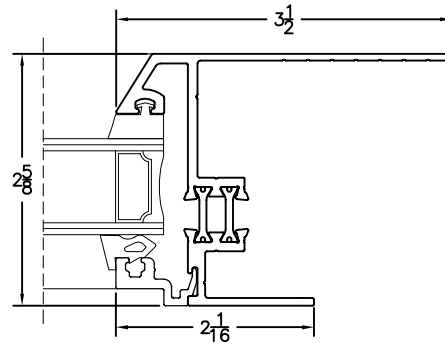
9

FX HEAD



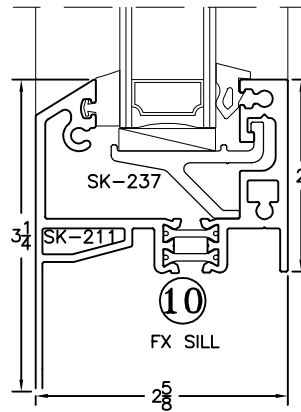
11

FX/FX



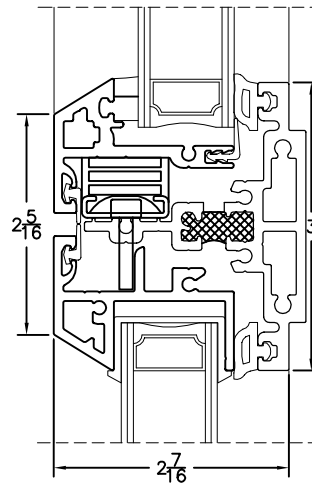
8

FX JAMB



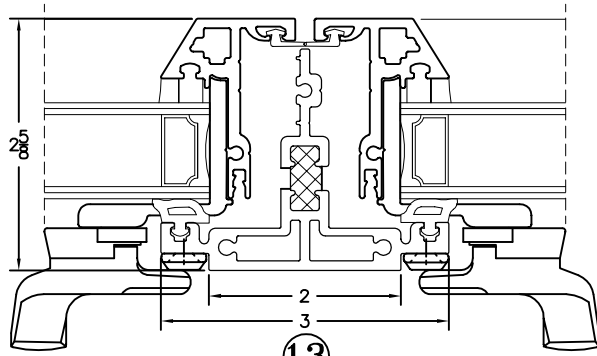
10

FX SILL

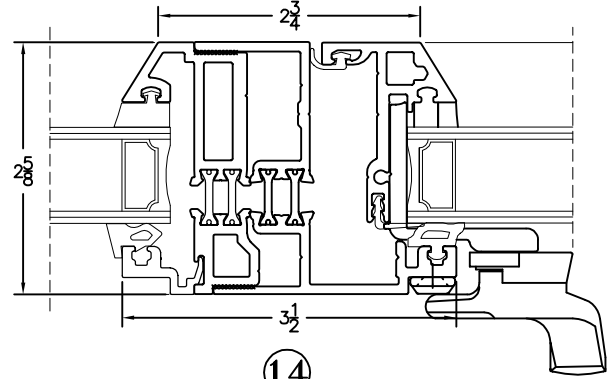


12

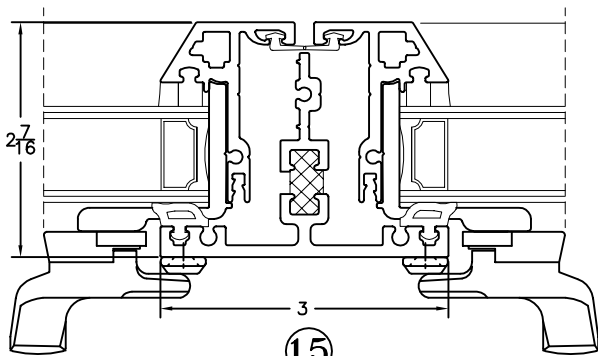
FX/OP W/
MARINE SASH



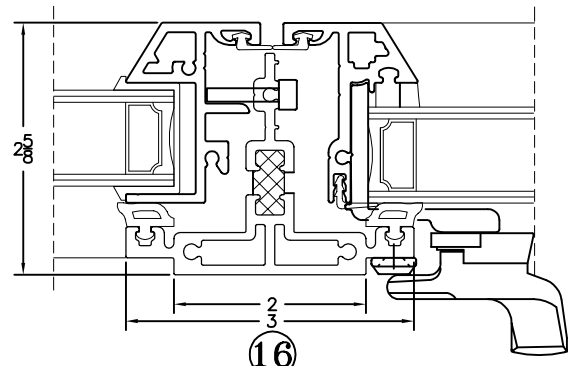
⑬
 OP/OP W/ HANDLES
 W/ BUMP TEE



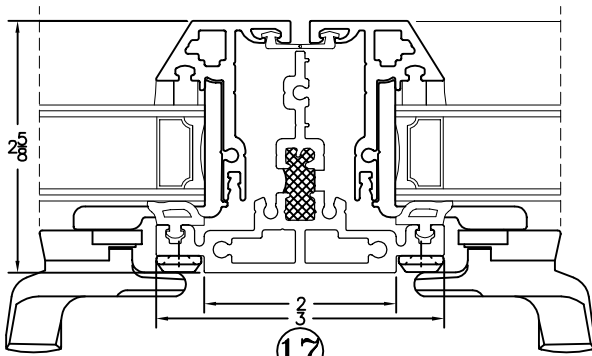
⑭
 FX/OP W/
 HANDLE



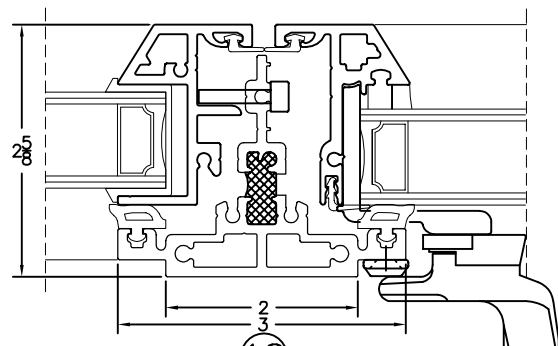
⑮
 OP/OP W/ HANDLES



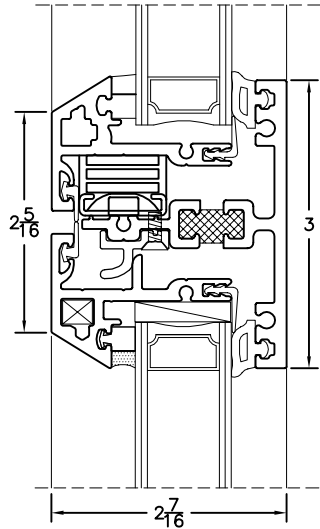
⑯
 FX/OP W/ HANDLE
 W/ BUMP TEE



⑰
 OP/OP W/ HANDLES
 W/ BUMP NEW TEE

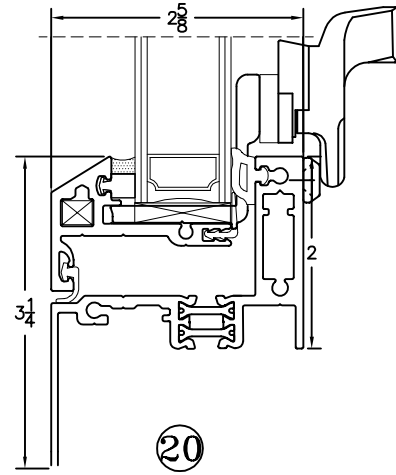


⑱
 FX/OP W/ HANDLE
 W/ BUMP NEW TEE



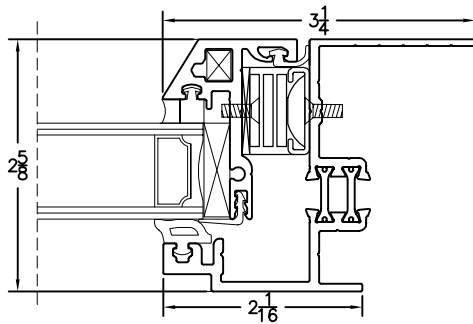
19

OP/OP
 W/SNUBBER
 SASH



20

OP SILL
 W/HANDLE



21

OP JAMB
 W/HINGE